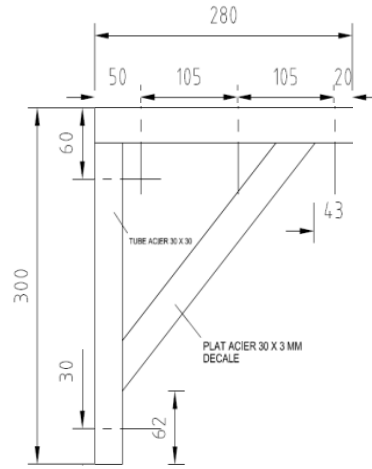
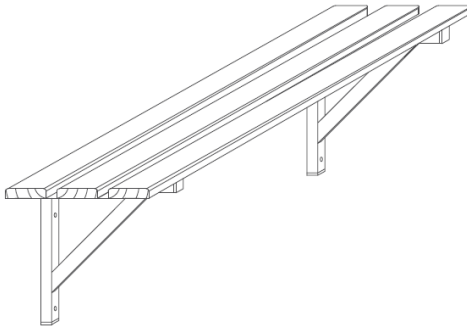


ELEVATION TYPE – BANCS

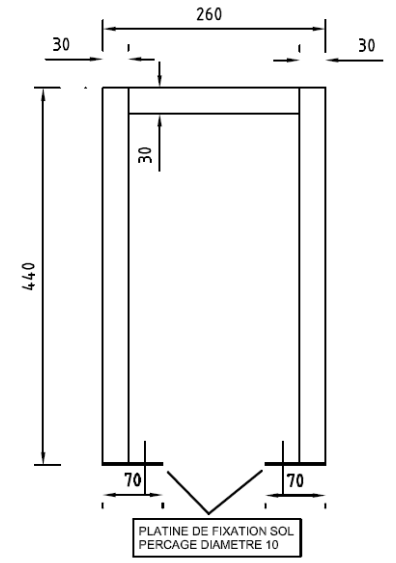
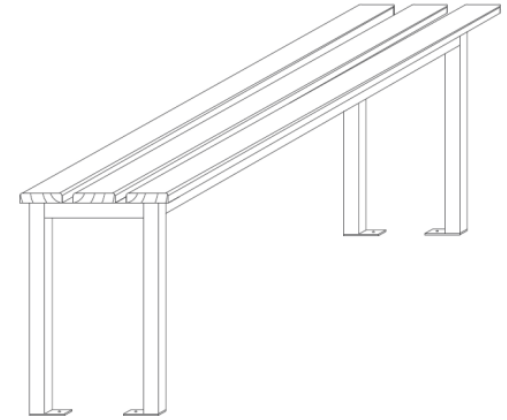


COMEPAL

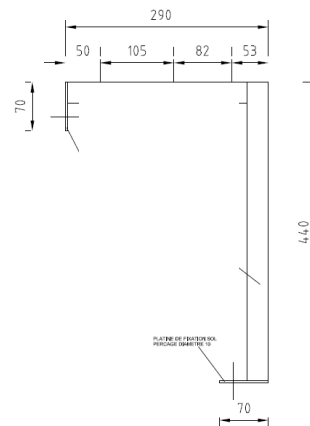
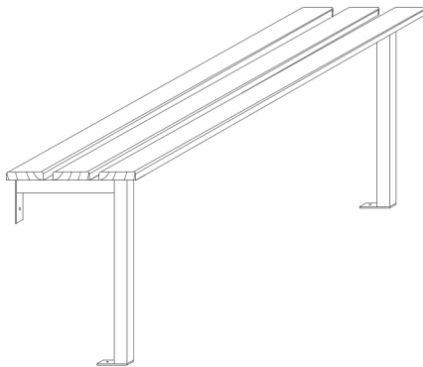
BANC MURAL



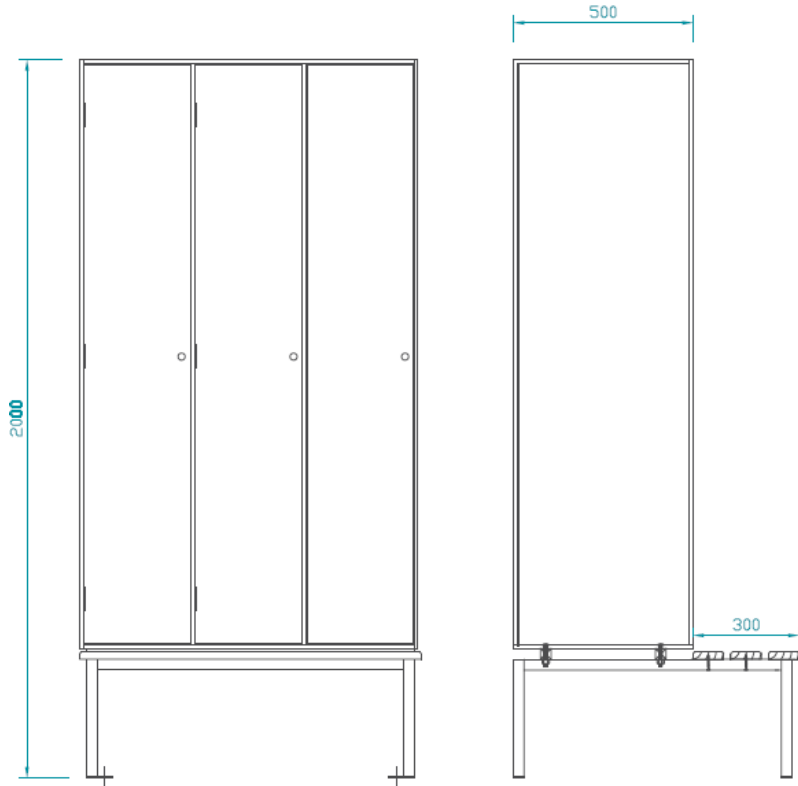
BANC AMOVIBLE



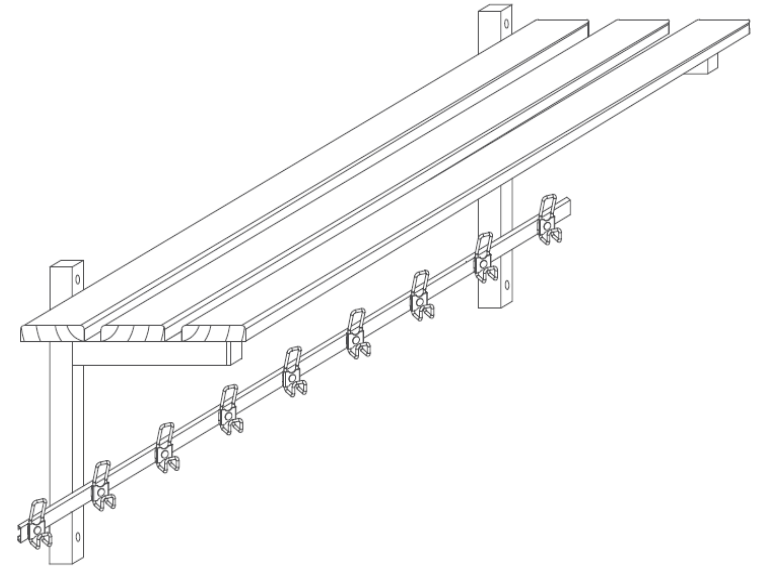
BANC MUR/SOL



ELEVATION TYPE – BANCS SUPPORT CASIERS



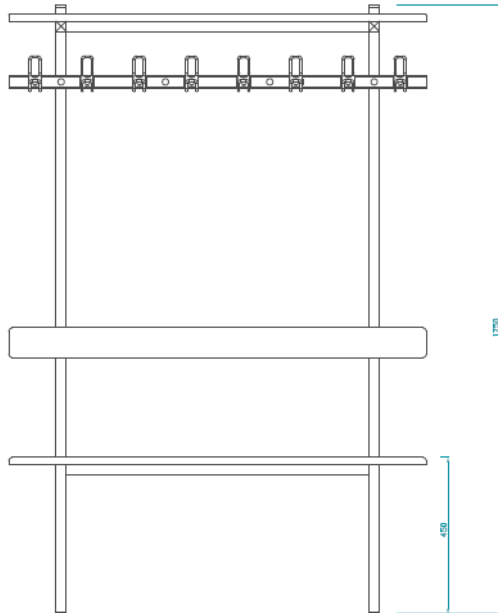
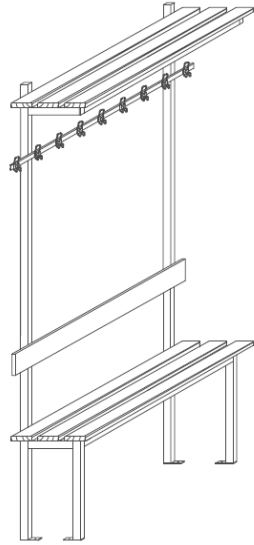
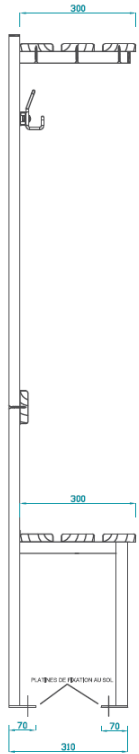
ELEVATION TYPE – PORTE PAQUET



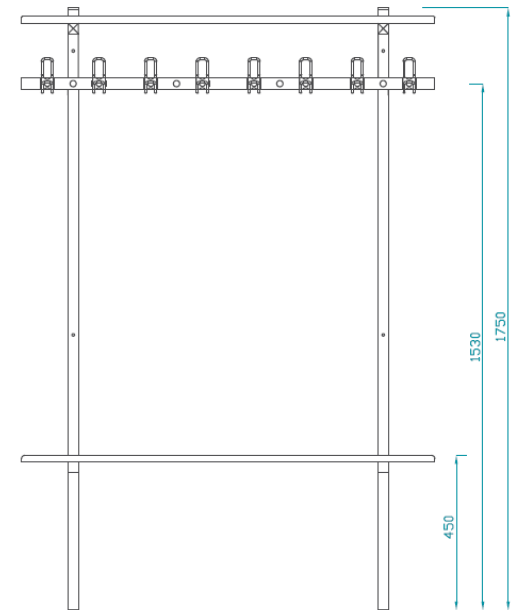
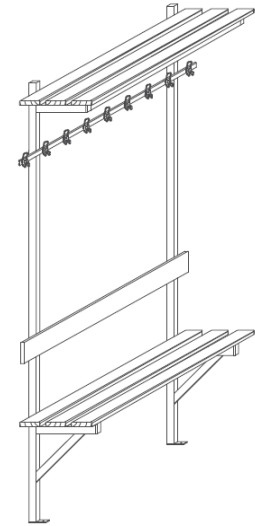
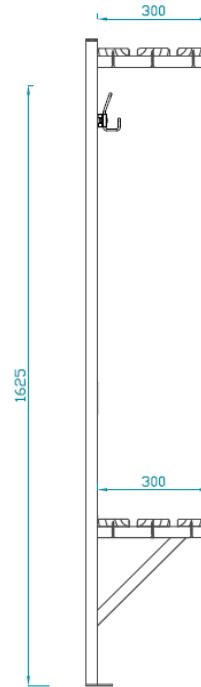
COMEPAL

ELEVATION TYPE – COMBINES

COMBINE MUR/SOL



COMBINE MURAL



COMEPAL